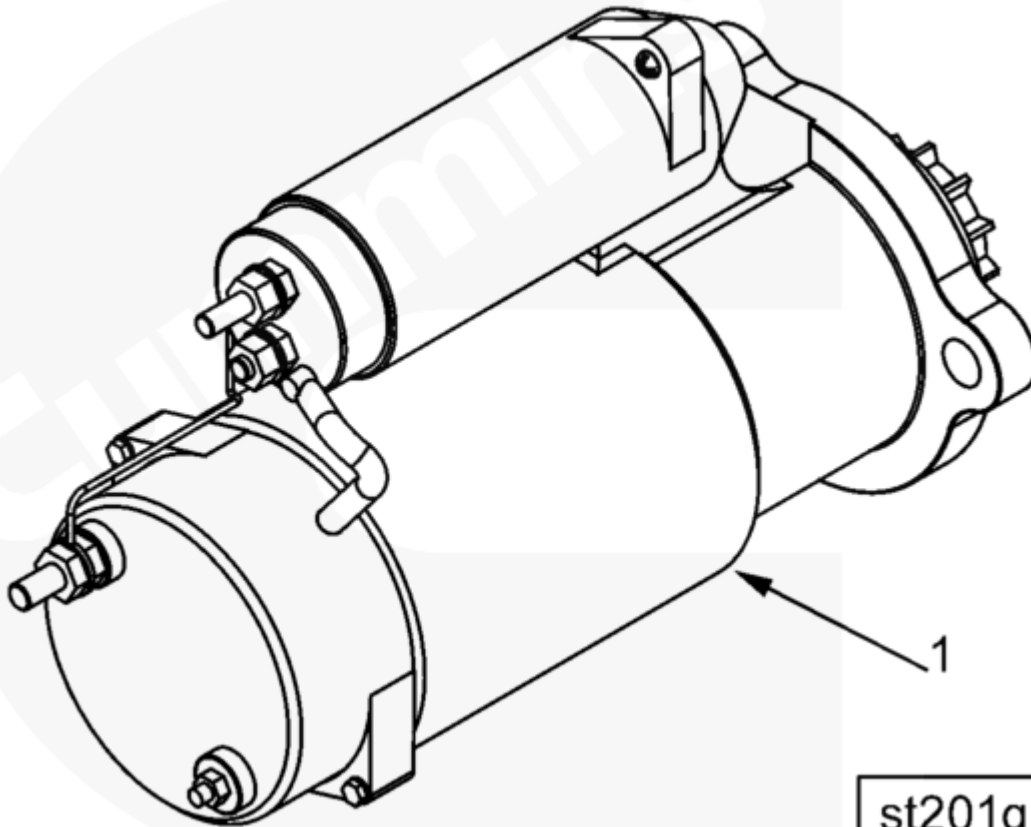




## Parts Catalog - Option Detail

| Electronic Parts Catalog - Option Detail |  |         |           |           |
|--|--|---------|-----------|-----------|
| Option                                   | Group  | Graphic | Film Card | Date      |
| ST2035-02                                | 13.05  | st201gh | II        | 05-JUL-11 |
| <b>Engines</b>                           | ISM CM570, ISM CM570/870, ISM CM875, ISM CM876, ISM CM876 E, ISM11 CM876 M103, ISM11 CM876 SN, M11 CELECT, M11 CELECT PLUS, M11 MECHANICAL, QSM11 CM570, QSM11 CM876 |         |           |           |

©Cummins Inc



[SMALL](#) | [MEDIUM](#) | [LARGE](#)

| Cart                         | Ref No | Part Number               | Part Description | Required | Remarks                  |
|------------------------------|--------|---------------------------|------------------|----------|--------------------------|
| <a href="#">View My Cart</a> |        |                           |                  |          |                          |
|                              |        | <a href="#">ST2035-02</a> | Starting Motor   |          |                          |
|                              |        |                           |                  |          | Starting Motor           |
|                              |        |                           |                  |          | Manufacturer: Delco Remy |
|                              |        |                           |                  |          | Model: 39 MT-HD          |
|                              |        |                           |                  |          | Voltage: 24              |

|                          |   |                         |                |   |                              |
|--------------------------|---|-------------------------|----------------|---|------------------------------|
|                          |   |                         |                |   | Rotation: Right Hand         |
|                          |   |                         |                |   | Solenoid Angle (degrees): 82 |
|                          |   |                         |                |   | Length: 360.0mm (14.17 in.)  |
|                          |   |                         |                |   | Power Supply: Electric       |
|                          |   |                         |                |   | Cummins Branded: Yes         |
|                          |   |                         |                |   | Integrated Magnetic Switch:  |
|                          |   |                         |                |   | Yes                          |
|                          |   |                         |                |   | Ground Wire Included: No     |
|                          |   |                         |                |   |                              |
| <input type="checkbox"/> | 1 | <a href="#">5284086</a> | Starting Motor | 1 |                              |

© 2019 Cummins Inc., Box 3005, Columbus, IN 47202-3005 U.S.A.  
 Terms of Use and Disclaimers | Recommended System Requirements  
 Need Assistance? Please click on the Contact Us button in the top right corner of any page.